

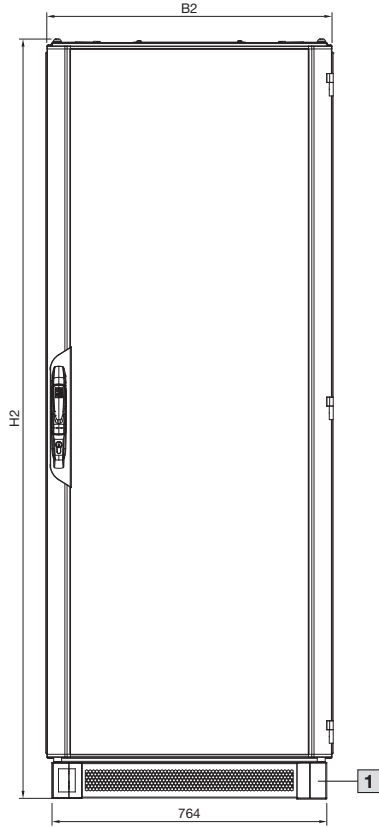
IT infrastructure

IT rack systems

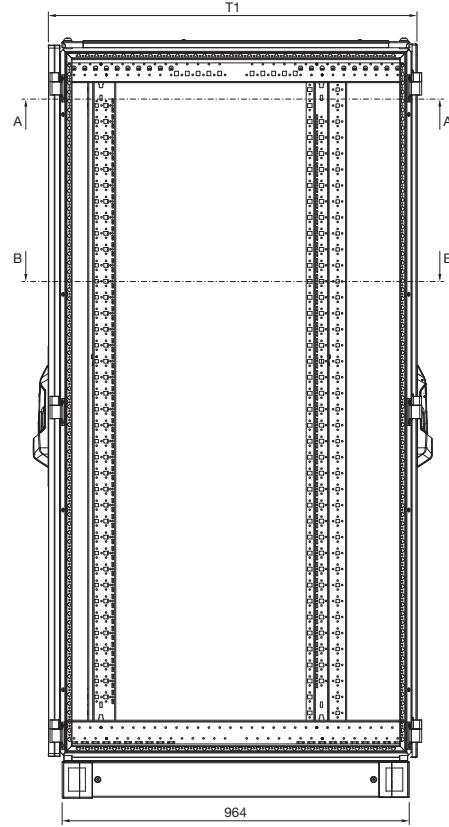
Network/server racks VX IT

with glazed door, with 482.6 mm (19") mounting angles, standard, W 800 x D 1000 mm

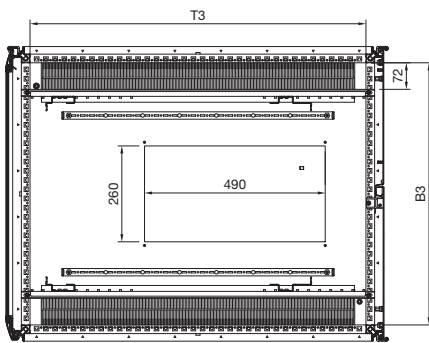
Front view



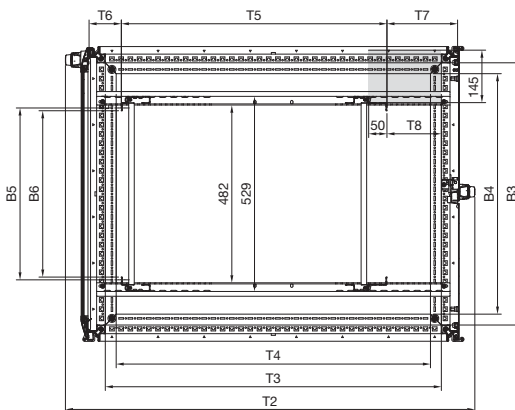
Side view



Section A - A



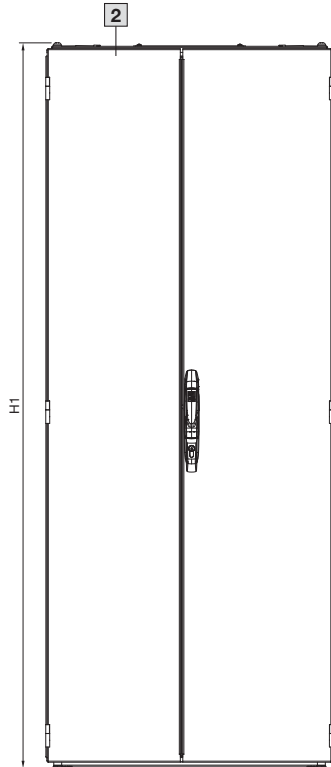
Section B - B



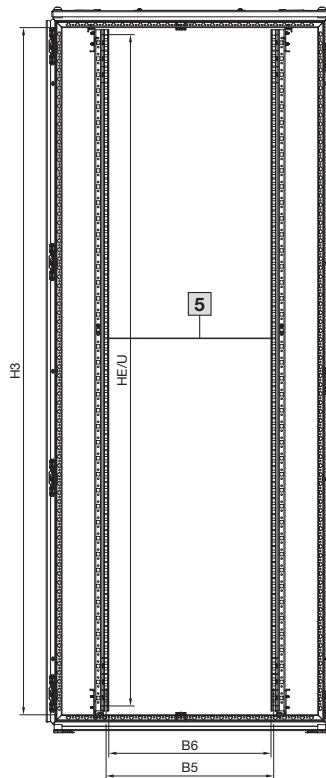
Network/server racks VX IT

with glazed door, with 482.6 mm (19") mounting angles, standard, W 800 x D 1000 mm

Rear view



Front view without doors

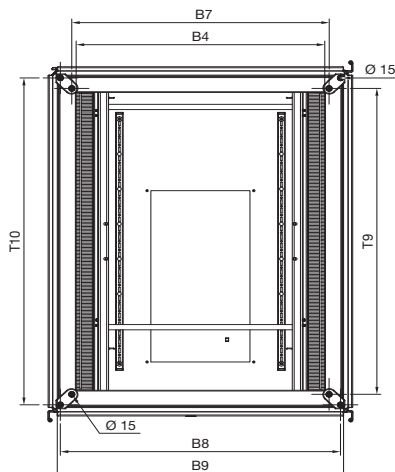


- B1 = Overall width without side panels
- B2 = Width of front door
- B3 = Clearance of enclosure frame
- B4 = Clearance base opening (footprint of frame excluding levelling feet, inner edge)
- B5 = Mounting dimension 19"
- B6 = Clearance within the 482.6 mm (19") mounting level
- B7 = Footprint of levelling feet (attached to the base frame)
- B8 = Footprint of levelling feet (attached to the frame corner pieces)
- B9 = Footprint of frame excluding levelling feet, outer edge

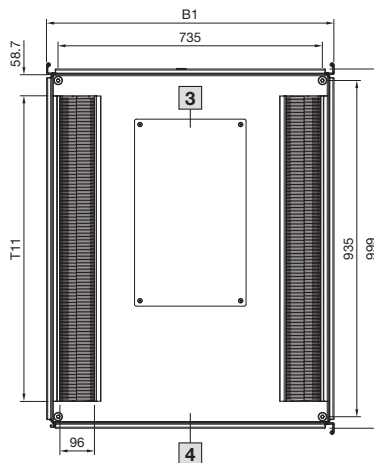
- H1 = Overall height
- H2 = Overall height including base/plinth
- H3 = Clearance of enclosure frame

- T1 = Overall depth without handles
- T2 = Overall depth with handles
- T3 = Clearance of enclosure frame
- T4 = Clearance base opening
- T5 = Distance between 482.6 mm (19") mounting levels
- T6 = Clearance in front of 482.6 mm (19") mounting level
- T7 = Clearance behind 482.6 mm (19") mounting level
- T8 = Distance between frame and 482.6 mm (19") mounting level, rear
- T9 = Footprint of levelling feet (attached to the base frame)
- T10 = Footprint of levelling feet (attached to the frame corner pieces)
- T11 = Depth of brush strip

Bottom view



Top view



- 1 5309.156, 5309.166 with base/plinth system VX, 100 mm high, vented
- 2 5304.126, 5309.136 Rear door, one-piece
- 3 Cut-out for fan mounting plate 5502.010, not applicable to 5309.136
- 4 5309.136 Roof plate, one-piece, solid
- 5 Shipping brace (to be removed once the components are installed)

Note:

- With fitted side panels, the overall width B1 is increased by 9 mm
- Depending on the baying connector, the distance between bayed enclosures is either 1 or 3 mm
- Clearance for PDU:
Depth = T8 + 50 mm/width = 145 mm

Model no. DK	U	Width dimensions mm									Height dimensions mm			Depth dimensions mm										
		B1	B2	B3	B4	B5	B6	B7	B8	B9	H1	H2	H3	T1	T2	T3	T4	T5 ³⁾	T6 ¹⁾	T7 ²⁾	T8	T9	T10	T11
5304.126	24	799	793	711	652	465	451	675	735	751	1217.5	1111	1311.5	1025	1110	911	852	720	87.5	191.5	147.5	875	935	850
5309.126	42	799	793	711	652	465	451	675	735	751	2017.5	1911	2111.5	1025	1110	911	852	720	87.5	191.5	147.5	875	935	850
5309.136	42	799	793	711	652	465	451	675	735	751	2017.5	1911	2111.5	1025	1110	911	852	720	87.5	191.5	147.5	875	935	850
5309.156	42	799	793	711	652	465	451	675	735	751	2017.5	1911	2111.5	1025	1110	911	852	720	87.5	191.5	147.5	875	935	850
5309.166	42	799	793	711	652	465	451	675	735	751	2017.5	1911	2111.5	1025	1110	911	852	720	87.5	191.5	147.5	875	935	850
5314.126	47	799	793	711	652	465	451	675	735	751	2217.5	2111	2311.5	1025	1110	911	852	720	87.5	191.5	147.5	875	935	850

¹⁾ Min. distance 42.5 mm ²⁾ Min. distance 41.5 mm ³⁾ Max. distance 915 mm