


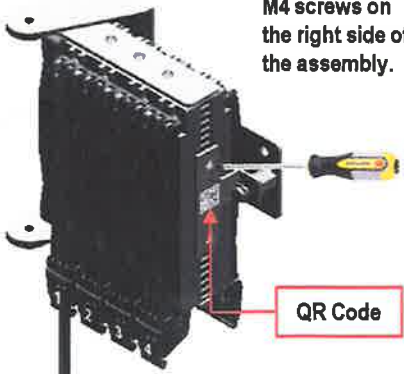
PEACOC® 8-Ports Clamshell Hardened Terminal (CHT) Quick Installation Guide

1



Put the CHT on front of the mounting kits. Insert 3 pcs M4 screws on each screw holes on top of the assembly.

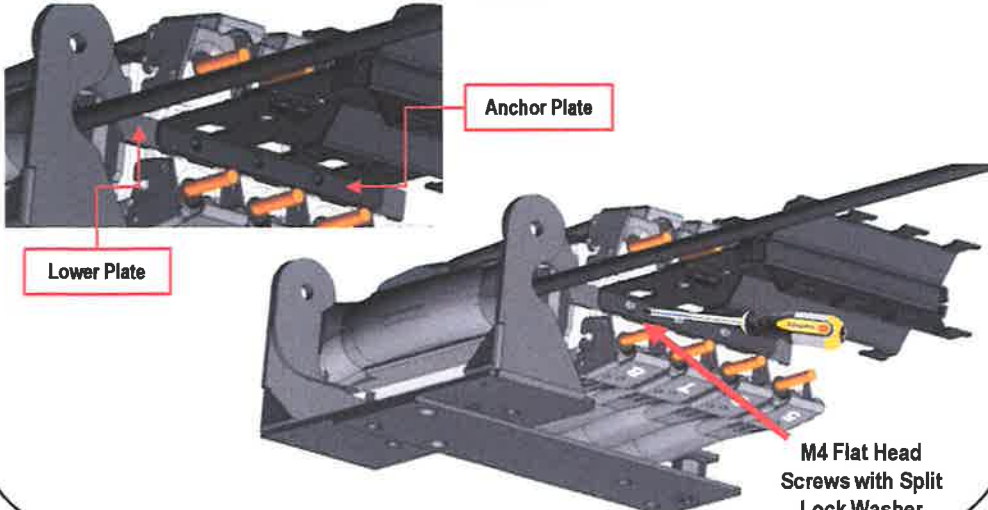
2



Insert the 2 pcs M4 screws on the right side of the assembly.

QR Code

3



Align the hole of the Lower Plate of the Pole Mount to the CHT unit, then position the Anchor Plate on top. Attached both the metal parts using 3pcs M4 Pan head screws with split lock washer.

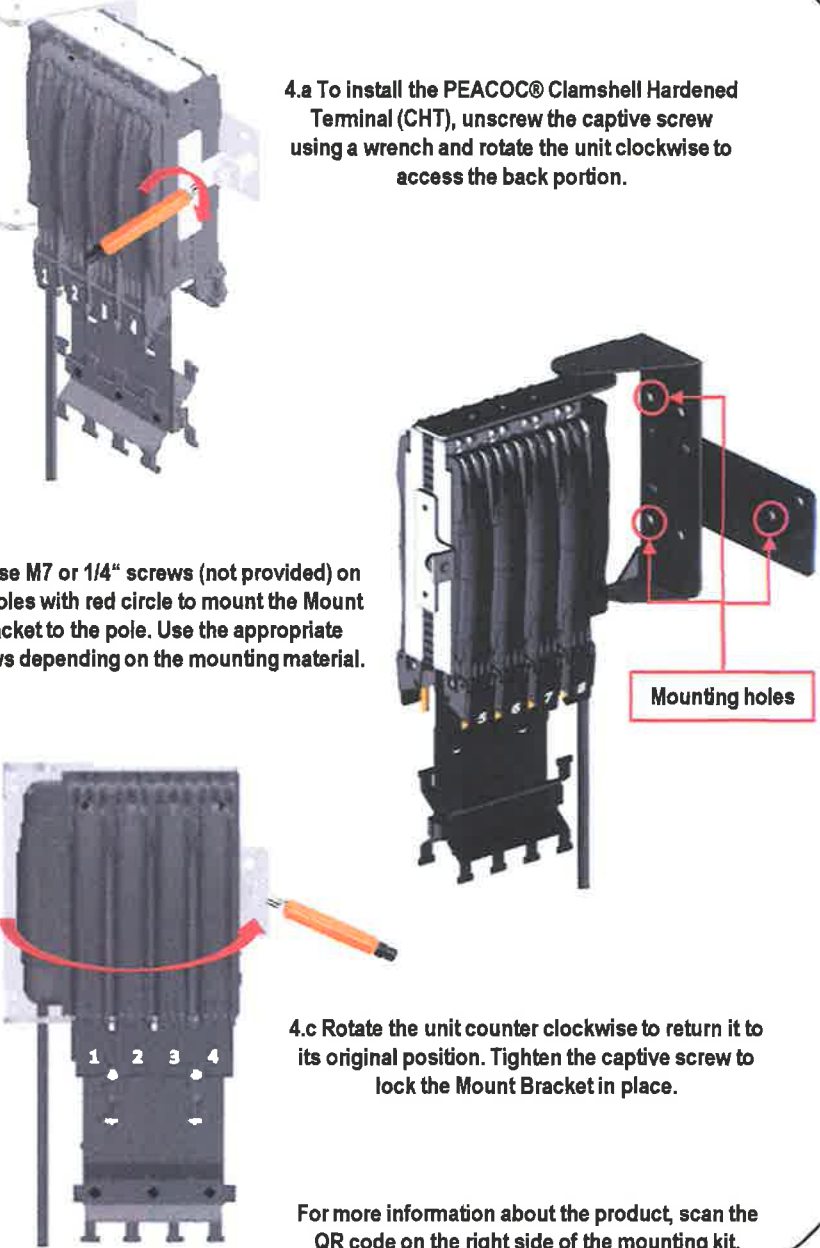
Anchor Plate

Lower Plate

M4 Flat Head Screws with Split Lock Washer

A PEACOC® 8-PORTS CLAMSHELL HARDENED TERMINAL (CHT) POLE/WALL/PEDESTAL MOUNTING WITH ANCHOR PLATE

4



4.a To install the PEACOC® Clamshell Hardened Terminal (CHT), unscrew the captive screw using a wrench and rotate the unit clockwise to access the back portion.

4.b Use M7 or 1/4" screws (not provided) on the holes with red circle to mount the Mount Bracket to the pole. Use the appropriate screws depending on the mounting material.

Mounting holes

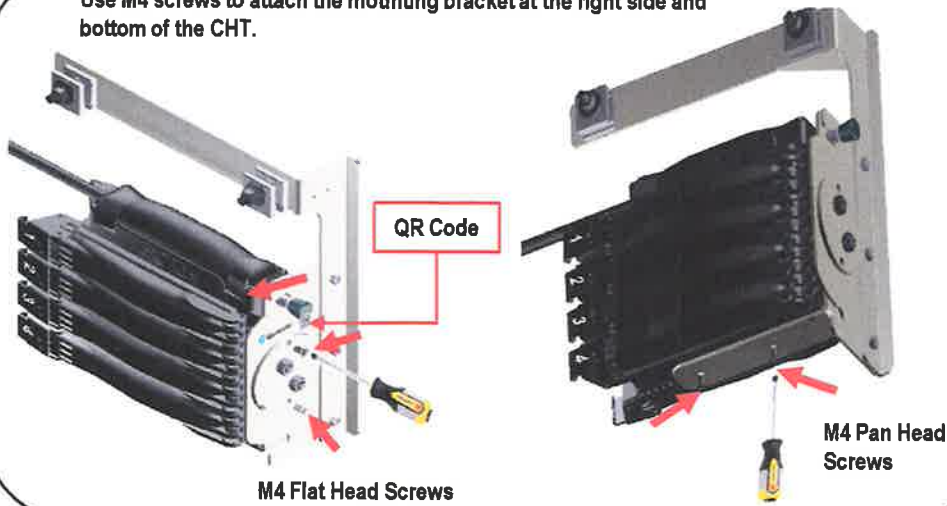
4.c Rotate the unit counter clockwise to return it to its original position. Tighten the captive screw to lock the Mount Bracket in place.

For more information about the product, scan the QR code on the right side of the mounting kit.

PEACOC® 8-Ports Clamshell Hardened Terminal (CHT) Quick Installation Guide

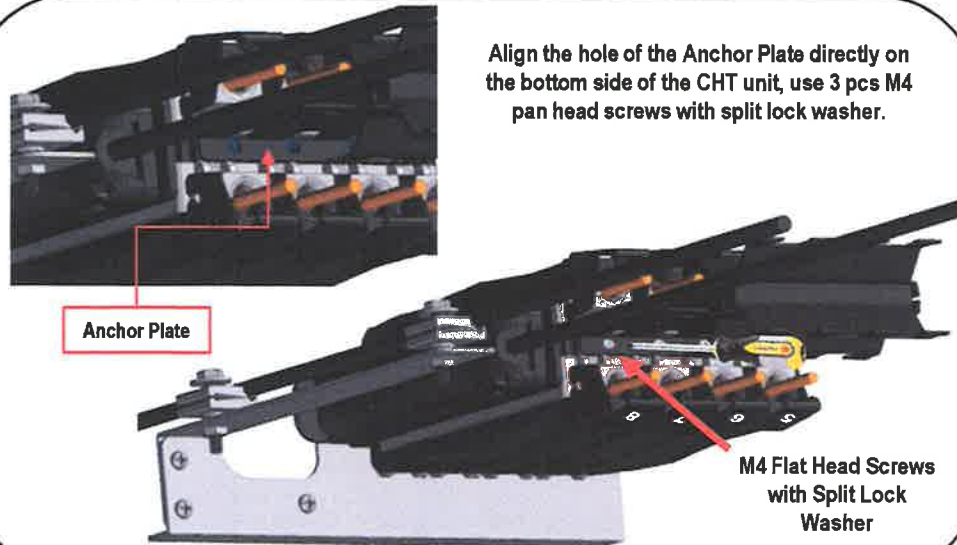
1

Use M4 screws to attach the mounting bracket at the right side and bottom of the CHT.



2

Align the hole of the Anchor Plate directly on the bottom side of the CHT unit, use 3 pcs M4 pan head screws with split lock washer.

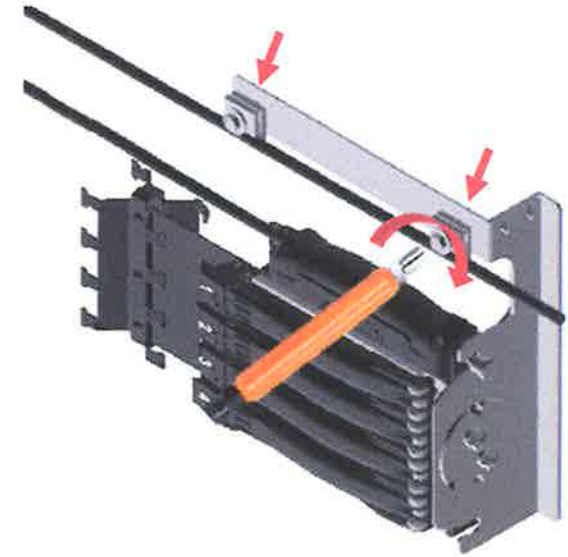


B

PEACOC® 8-PORTS CLAMSHELL HARDENED TERMINAL (CHT) STRAND MOUNTING WITH ANCHOR PLATE

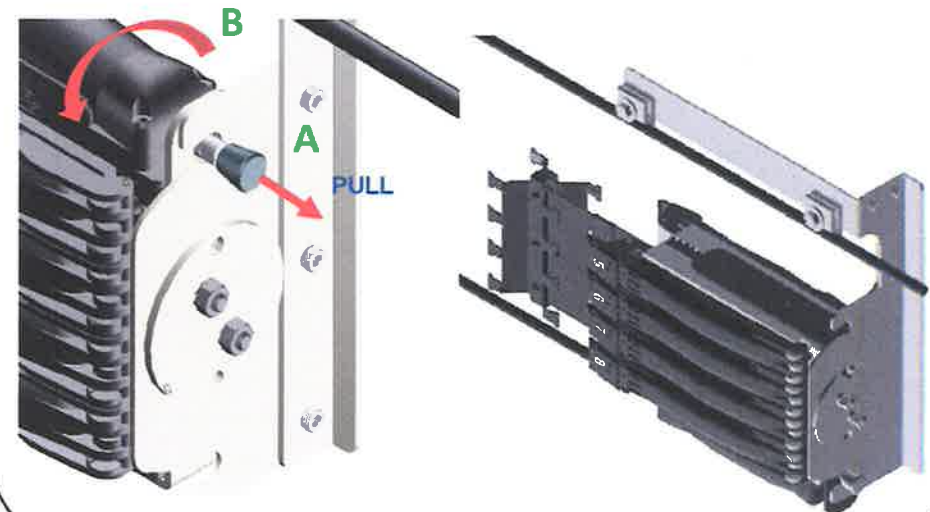
3

Insert the strand wire/cable on the D-Clamp teeth. Fasten the hex nut using wrench or Jonard Tool.



4

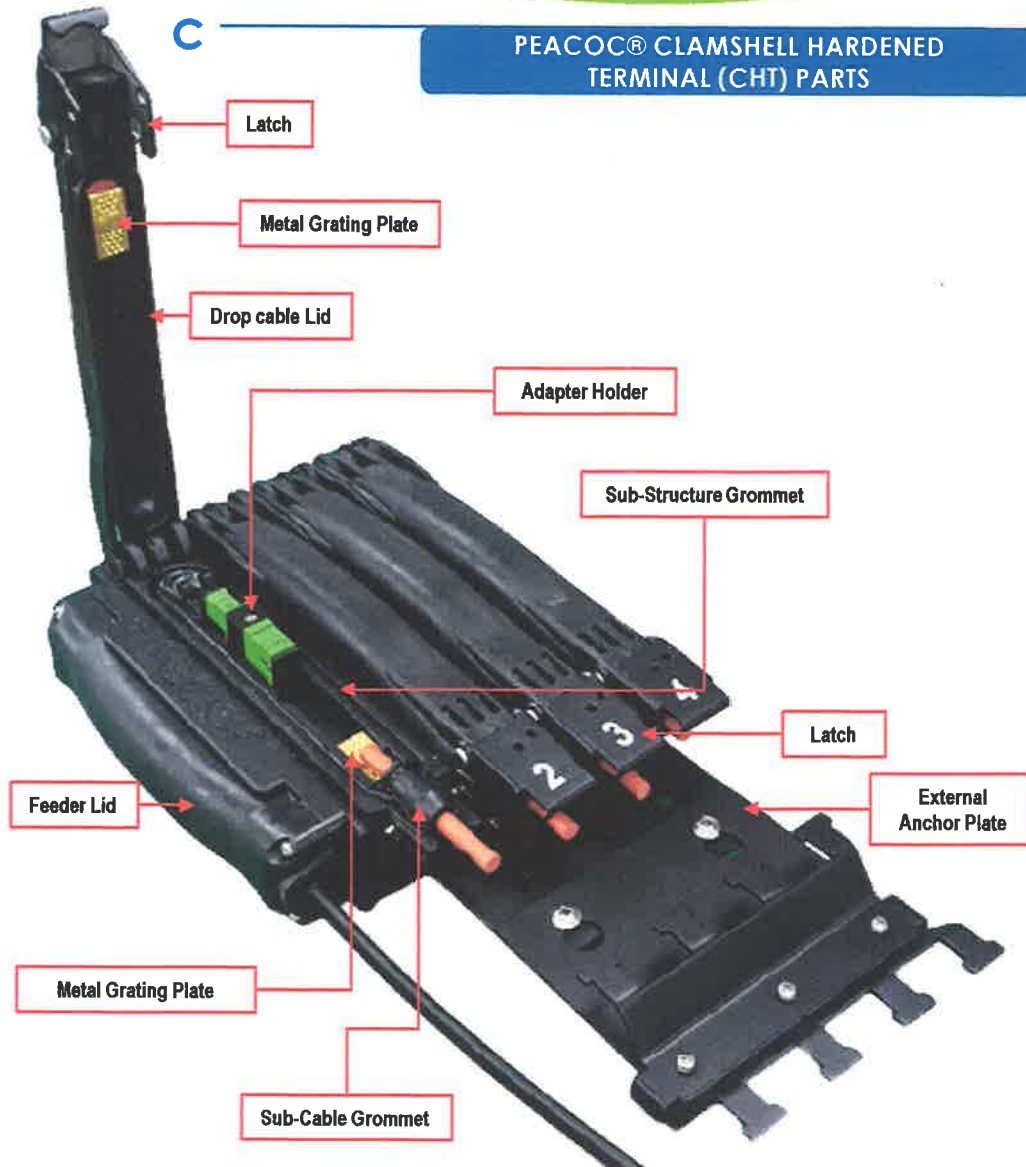
To access the ports at the back, pull the lock & rotate 90° clockwise. Hold the CHT and turn it up to 180° clockwise. Turn the lock at 90° counter clockwise to lock the new position. Repeat the same procedure to flip back the CHT to its original position.



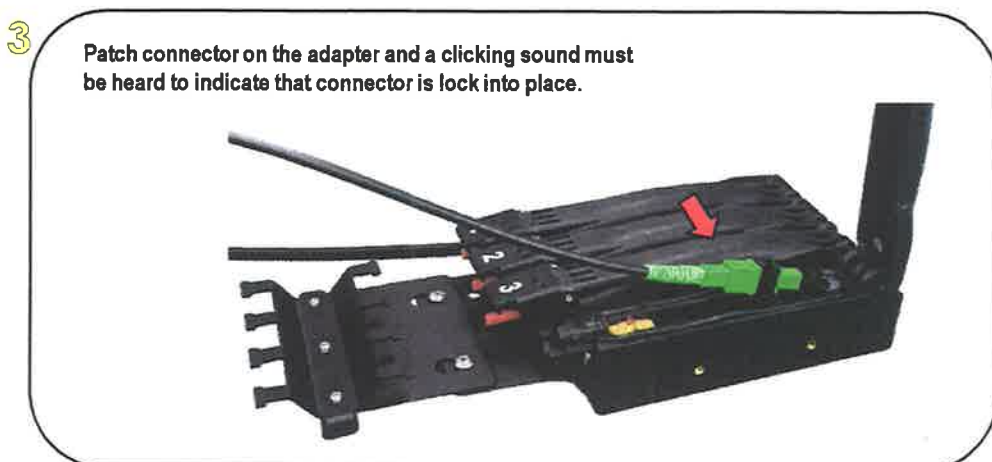


PEACOC® 8-Ports Clamshell Hardened Terminal (CHT) Quick Installation Guide

PEACOC® CLAMSHELL HARDENED TERMINAL (CHT) PARTS



D PEACOC® 8-PORTS CLAMSHELL HARDENED TERMINAL (CHT) DROP CABLE INSTALLATION





PEACOC® 8-Ports Clamshell Hardened Terminal (CHT) Quick Installation Guide

D PEACOC® 8-PORTS CLAMSHELL HARDENED TERMINAL (CHT) DROP CABLE INSTALLATION

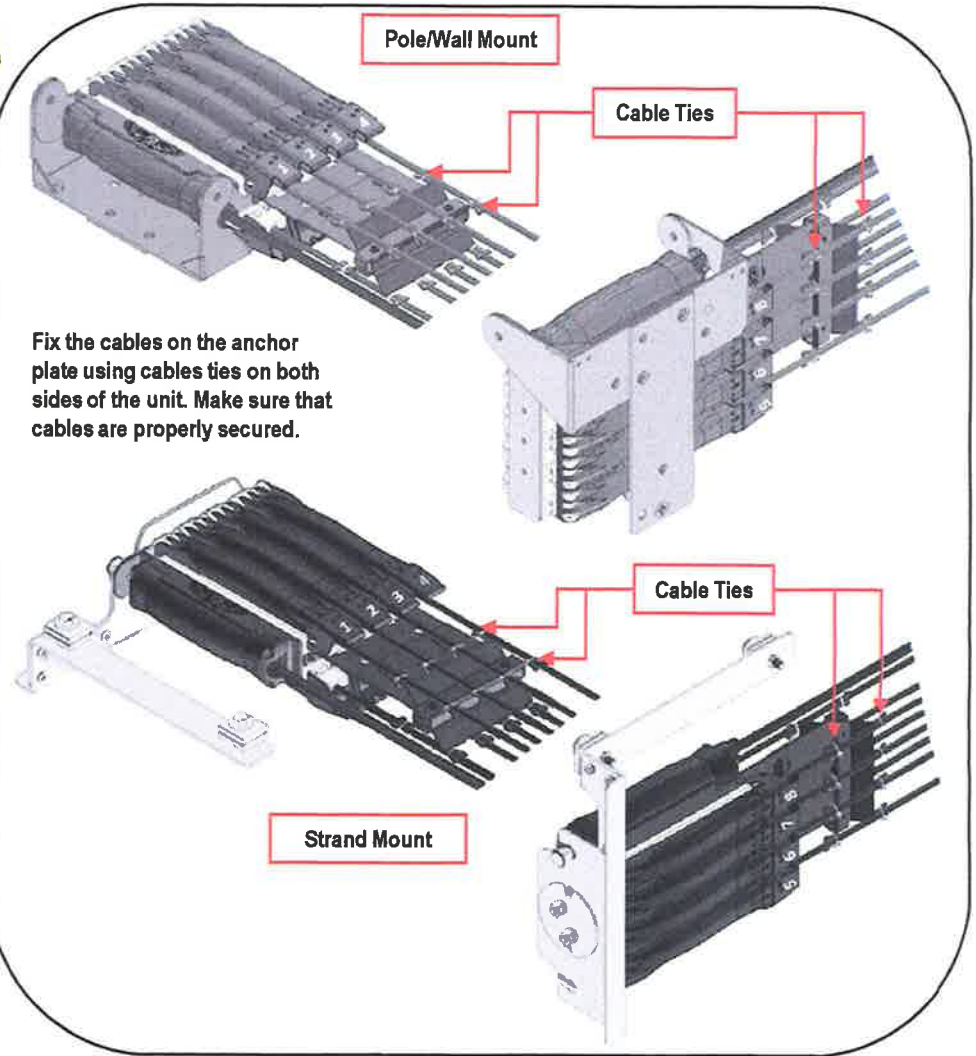
4 Apply additional silicone grease on the sub-cable grommet and F2 grommet. Then insert the cable on the slit of the grommet.



5 Push back the front part of the Lever to lock the Drop Cable Lid.



6



Fix the cables on the anchor plate using cables ties on both sides of the unit. Make sure that cables are properly secured.

DROP CABLES CONFIGURATION

F2 Grommet Type	Drop Cable Size	Remarks
Sub-Cable Sealing Dia-4.8mm	Round 4.8mm	Installed
Sub-Cable Sealing Dia-5.2 x 2.8mm	5.2 x 2.8mm	Accessory
Sub-Cable Sealing Dia-3.0mm	Round 3.0mm	Available Accessory