

707550-000 | FIST-GCO2-BE6-NN



FIST™ GCO2 Fiber Optic Splice Closure, Heat Shrink Cable sealing, size BE, no pre-installed fiber trays, 6 ports

- Single-ended, O-ring sealed dome closure for splicing feeder and distribution cables
- Compatible with most common cable types: e.g. loose tube, central core, ribbon fiber
- Universal mounting system (UMS) profiles provide foundation for mounting combinations of FIST splice trays
- Closure can be used in aerial, pedestal and underground (up to 5 meters) environments
- Compatible with CommScope's CWDM modules and optical splitter trays

Product Classification

Regional Availability	EMEA
Product Type	Single-ended, round fiber closure
Product Brand	FIST™
Product Series	FIST-GCO2

General Specifications

Cable Entry Drop Port Style	Round
Cable Entry Main Port Style	Oval
Cable Ports, quantity	7
Cable Sealing Type	Gel kit (optional) Heat shrink
Closure Sealing Type	Dome-to-base clamp with O-ring
Closure Style	Single-ended
Color	Black
Mounting	Pole Strand Wall
Network Area Type	Distribution
Splice Tray Included, quantity	0
Splicing Capacity, Mass Fusion, maximum	464
Splicing Capacity, Single Fusion, maximum	672
Splicing Capacity, Single Splice, 12 fibers, maximum	672
Splicing Capacity, Single Splice, 2 fibers, maximum	224
Splicing Type, Supported	Mass fusion Single fusion

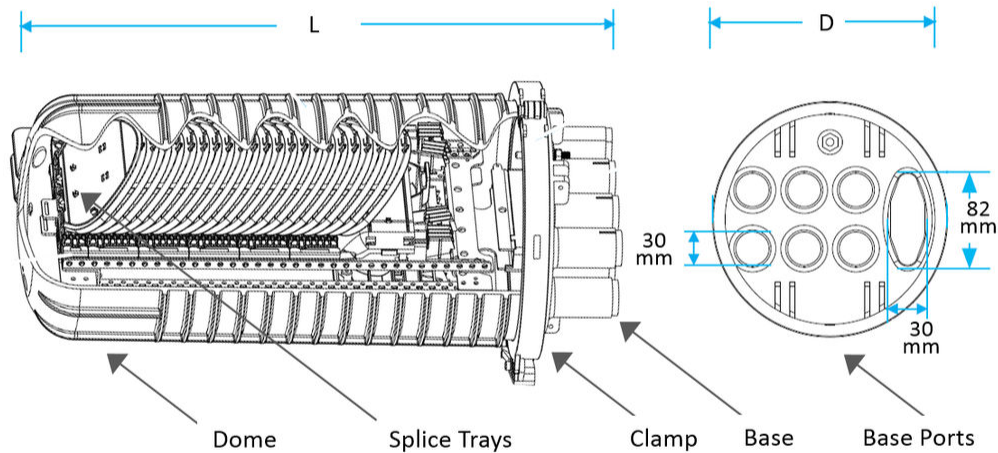
Dimensions

Length	680 mm 26.772 in
---------------	--------------------

707550-000 | FIST-GC02-BE6-NN

Cable Entry Drop Port Diameter	30 mm 1.181 in
Diameter	247 mm 9.724 in
Diameter, with clamp	285 mm 11.22 in
Main Cable Diameter, maximum	25 mm 0.984 in
Cable Entry Main Port Dimensions	30 mm x 82 mm (1.18 in x 3.23 in)

Dimension Drawing



Material Specifications

Material Type Impact-resistant polymer

Environmental Specifications

707550-000 | FIST-GC02-BE6-NN

Environmental Space Below ground | Buried
Qualification Standards IEC 61300, 5 m waterhead

Packaging and Weights

Packaging quantity 1
Packaging Type Box | Carton
Weight, net 5.2 kg | 11.464 lb

Regulatory Compliance/Certifications

Agency	Classification
CHINA-ROHS	Below maximum concentration value
ISO 9001:2015	Designed, manufactured and/or distributed under this quality management system
REACH-SVHC	Compliant as per SVHC revision on www.commscope.com/ProductCompliance
ROHS	Compliant

