

DIAMOND

Fiber Optic Components

Hybrid family

NETWORK ACCESSORIES

DESCRIPTION

In-line hybrid adapters are used to directly mate connectors with different mechanical interface. Their optical performance and compact size make a logical and cost-effective alternative to hybrid patch assemblies. They are available for SM PC/APC and MM PC connector types. Diamond offers three different hybrid families: Standard, E-2000™ and F-3000™.

SPECIFICATIONS FOR: STANDARD AND E-2000™ HYBRIDS

	MULTIMODE 0° PC	SINGLE MODE 0° PC	SINGLE MODE 8° APC	UNITS	TEST CONDITIONS
Insertion Loss (IL)*	typ. 0.15	typ. 0.2	typ. 0.2	dB	IEC 61300-3-4; $\lambda = 1300/1550\text{nm}$
Repeatability of IL	max ± 0.1			dB	IEC 61300-2-2; $\lambda = 1300/1550\text{nm}$
Service life	1000 mate/demate cycles				According to field experience
Operating temperature	-40/+85			°C	
Storage temperature	-40/+90			°C	

* IL measured using two reference cables

NOTE Optical and mechanical specifications are based on the use of the connector of corresponding standard; the above table reflects typical values.

SPECIFICATIONS FOR: F-3000™ HYBRIDS

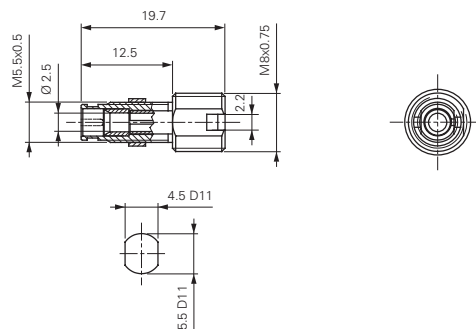
	MULTIMODE 0° PC	SINGLE MODE 0° PC	SINGLE MODE 8° APC	UNITS	TEST CONDITIONS
Insertion Loss (IL)*	typ. 0.2	typ. 0.4	typ. 0.4	dB	IEC 61300-3-4; $\lambda = 1300/1550\text{nm}$
Repeatability IL	± 0.1	± 0.2	± 0.2	dB	IEC 61300-2-2; $\lambda = 1300/1550\text{nm}$
Service life	500 mate/demate cycles				According to field experience
Operating temperature	-40/+85			°C	
Storage temperature	-40/+90			°C	

* IL measured using two reference cables at room temperature

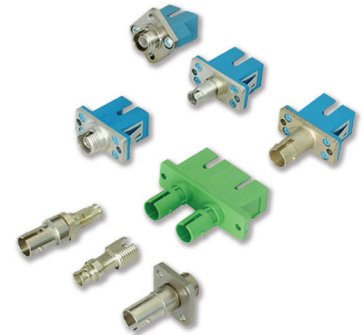
STANDARD HYBRIDS TYPES AND DIMENSIONS

HYB. LSA (DIN) / FC (key 2.2 mm)

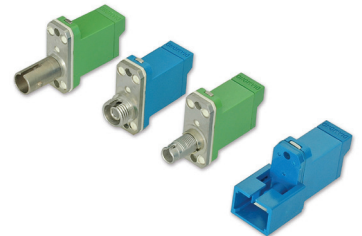
External parts: Cu-Ni alloy
Mating sleeve: Zirconia



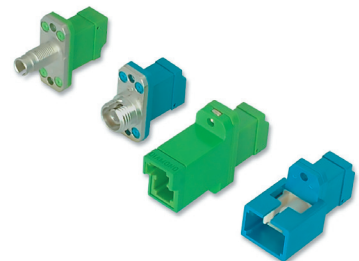
SINGLE MODE PC/APC
MULTIMODE PC



Standard hybrid adapters



E-2000™ hybrid adapters



F-3000™ hybrid adapters



DIAMOND SA | Via dei Patrizi 5 | CH-6616 Losone - Switzerland
Tel. +41 58 307 45 45 | e-mail info@diamond-fo.com

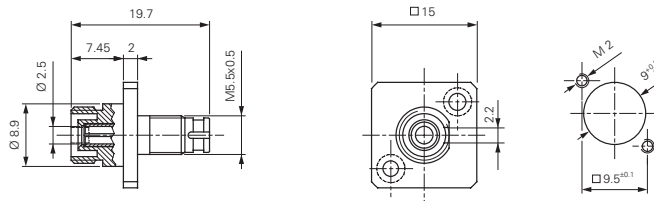
www.diamond-fo.com

Specifications subject to change
without notice

BDD 1951821_03_19

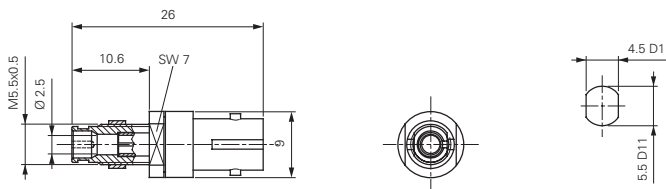
HYB. FC (key 2.2 mm) / LSA (DIN)

External parts: Cu-Ni alloy



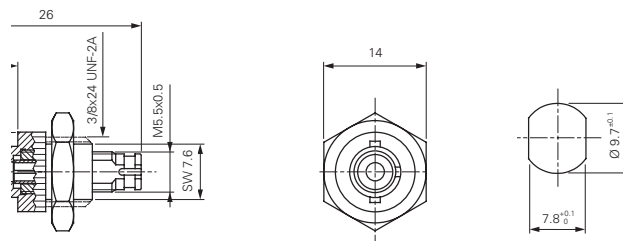
HYB. LSA (DIN) / ST™

External parts: Cu-Ni alloy/Ni-plated Zamak



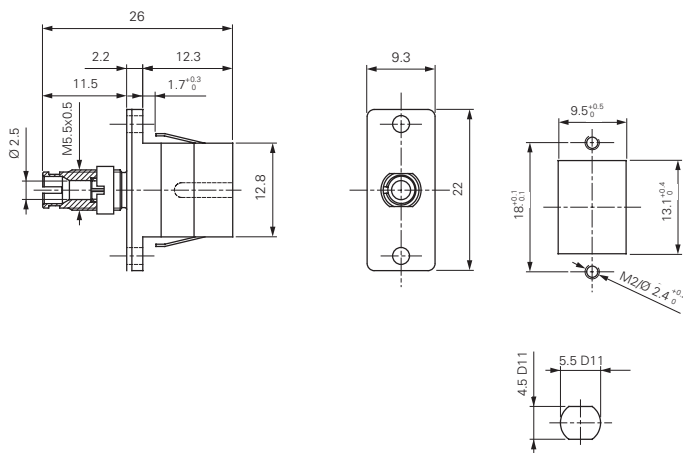
HYB. ST™ / LSA (DIN)

External parts: Ni-plated Zamak/Cu-Ni alloy



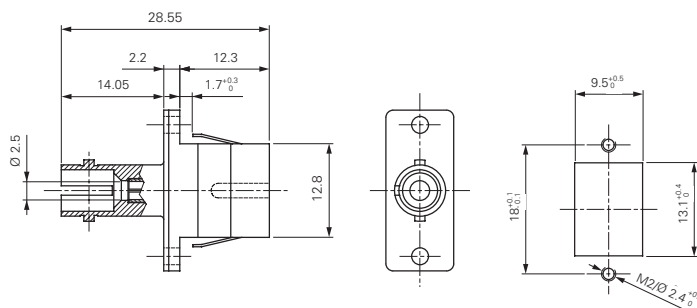
HYB. LSA (DIN) / SC

External parts: Ni-plated Zamak/Plastic



HYB. SC / ST™

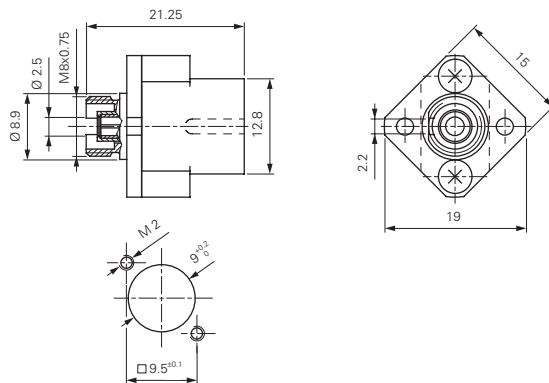
External parts: Cu-Ni alloy/Plastic



HYB. FC (key Ø 2.2 mm) / SC, Square

Available types: **HYB. FC/SC MM PC Square**
HYB. FC/SC SM PC Square
HYB. FC/SC SM APC Square

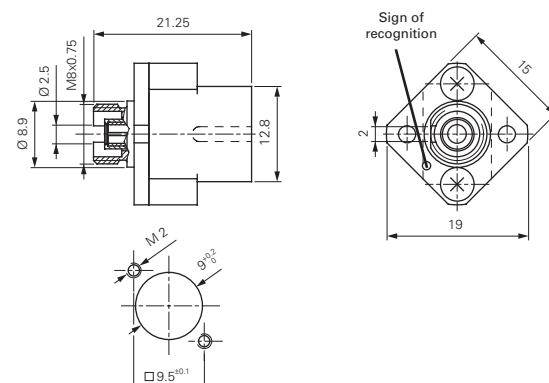
External parts: Ni-plated Brass/Plastic
 key ø: 2.2 mm



HYB. FC (key Ø 2 mm) / SC, Square

Available types: **HYB. FC/SC SM APC Square**

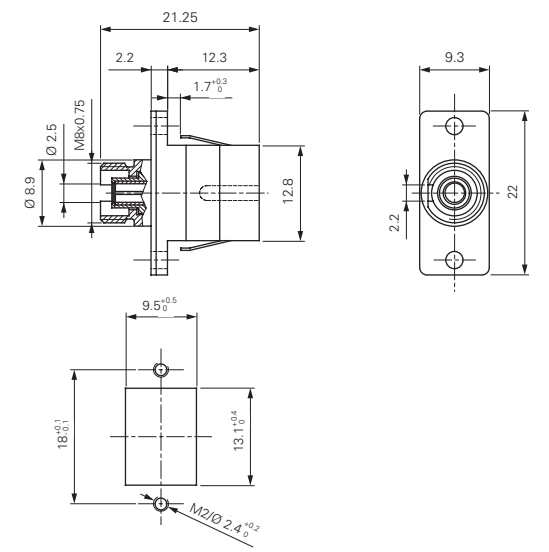
External parts: Ni-plated Brass/Plastic
 key ø: 2 mm



HYB. SC / FC (key Ø 2.2 mm)

Available types: **HYB. SC/FC MM PC**
HYB. SC/FC SM PC
HYB. SC/FC SM APC

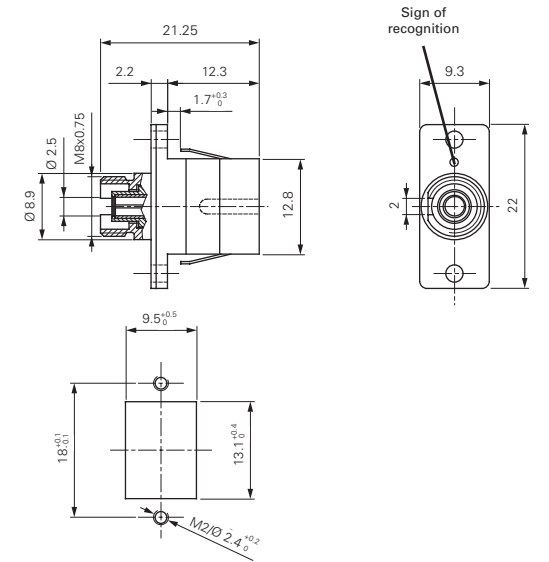
External parts: Ni-plated Zamak/Plastic
 key ø: 2.2 mm



HYB. SC / FC (key Ø 2 mm)

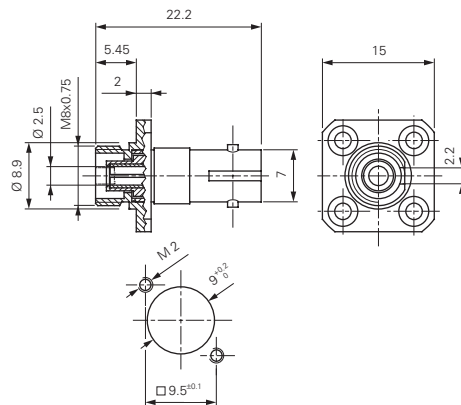
Available types: **HYB. FC/SC SM APC**

External parts: Ni-plated Zamak/Plastic
 key ø: 2 mm



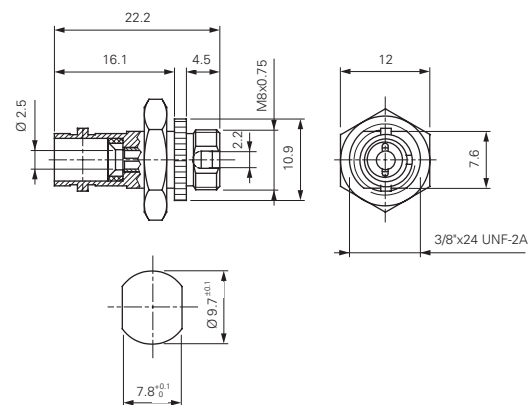
HYB. FC (key 2.2 mm) / ST™, Square

External parts: Ni-plated Brass/Ni-plated Zamak



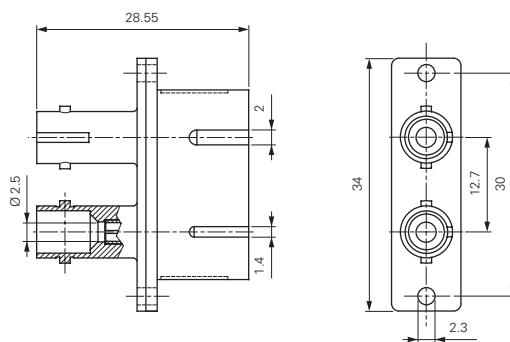
HYB. ST™ / FC (key 2.2 mm)

External parts: Cu-Ni alloy



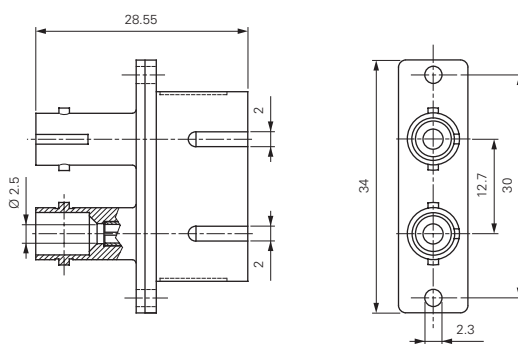
HYB. SC / ST™ Duplex (for SM PC version)

External parts: Plastic

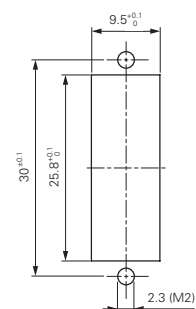


HYB. SC / ST™ Duplex (for MM version)

External parts: Plastic



CUTOUT DIMENSIONS



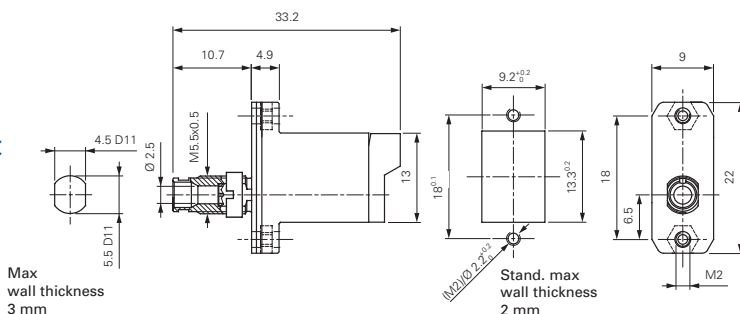
NOTE Standard plastic body colors: beige for MM PC, blue for SM PC and green for SM APC.

E-2000™ HYBRIDS TYPES AND DIMENSIONS

HYB. E-2000™/LSA (DIN)

Available types: **HYB. E-2000™/LSA (DIN) MM PC**
HYB. E-2000™/LSA (DIN) SM PC
HYB. E-2000™/LSA (DIN) SM APC

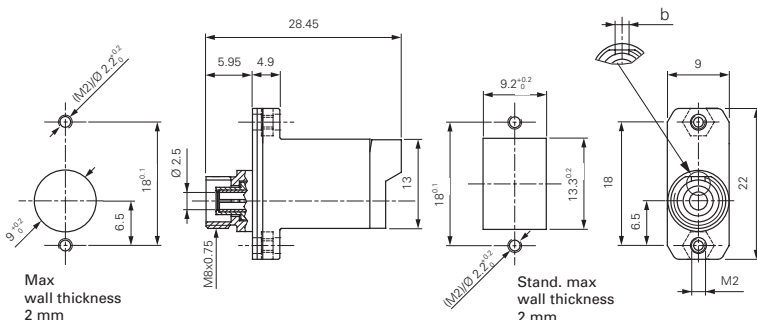
External parts: Ni-plated Zamak/Plastic



HYB. E-2000™/FC

Available types: **HYB. E-2000™/FC MM PC**
HYB. E-2000™/FC SM PC
HYB. E-2000™/FC SM APC

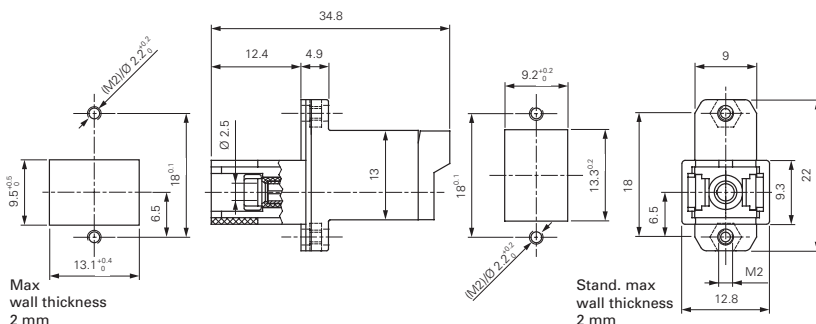
External parts: Ni-plated Zamak/Plastic
 Dimension b: 2 or 2.2 mm for APC, only 2.2 mm for PC



HYB. E-2000™/SC

Available types: **HYB. E-2000™/SC MM PC**
HYB. E-2000™/SC SM PC
HYB. E-2000™/SC SM APC

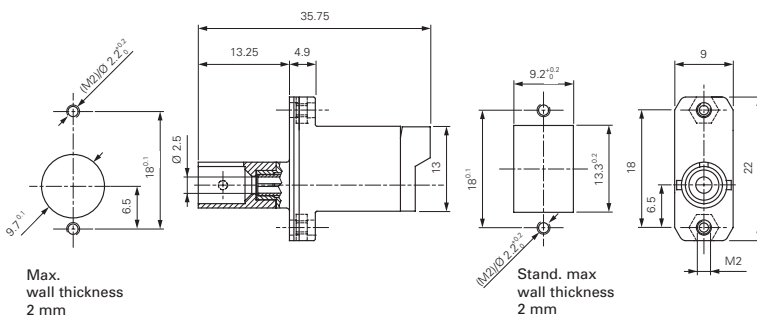
External parts: Plastic



HYB. E-2000™/ST™

Available types: **HYB. E-2000™/ST™ MM PC**
HYB. E-2000™/ST™ SM PC

External parts: Ni-plated Zamak/Plastic
 Dimension b: 2 or 2.2 mm for APC, only 2.2 mm for PC



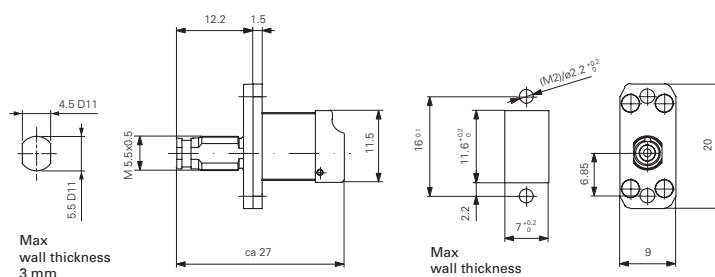
NOTES - Standard body and frame colors: beige for MM PC, blue for SM PC and green for SM APC.
 - Other frame colors or frames with mechanical keying are available upon request. (Please refer to the part-specific color and mechanical keying of E-2000™ Simplex datasheet).

F-3000™ HYBRIDS TYPES AND DIMENSION

HYB. F-3000™/LSA (DIN)

Available types: **HYB. F-3000™/LSA (DIN) MM PC**
HYB. F-3000™/LSA (DIN) SM PC
HYB. F-3000™/LSA (DIN) SM APC

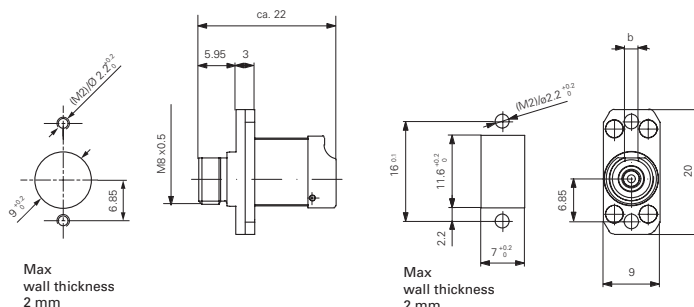
External parts: Ni-plated Zamak/Plastic



HYB. F-3000™/FC

Available types: **HYB. F-3000™/FC MM PC**
HYB. F-3000™/FC SM PC
HYB. F-3000™/FC SM APC

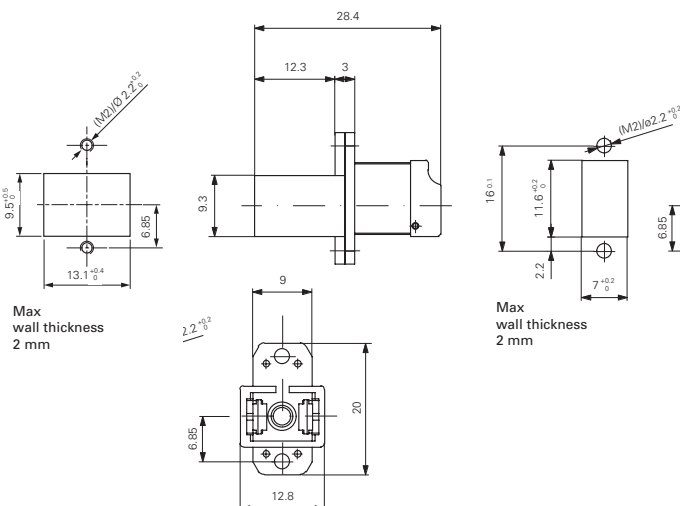
External parts: Ni-plated Zamak/Plastic
 Dimension b: 2 or 2.2 mm for APC,
 only 2.2 mm for PC



HYB. F-3000™/SC

Available types: **HYB. F-3000™/SC MM PC**
HYB. F-3000™/SC SM PC
HYB. F-3000™/SC SM APC

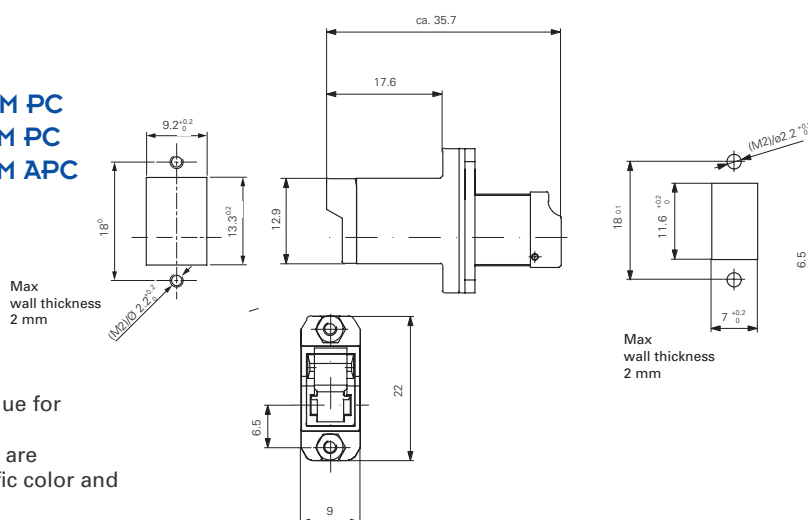
External parts: Plastic



HYB. F-3000™/LSH (E-2000™)

Available types: **HYB. F-3000™/LSH (E-2000™) MM PC**
HYB. F-3000™/LSH (E-2000™) SM PC
HYB. F-3000™/LSH (E-2000™) SM APC

External parts: Plastic



- NOTES**
- Standard body and frame colors: beige for MM PC, blue for SM PC and green for SM APC.
 - Other frame colors or frames with mechanical keying are available upon request. Please refer to the part-specific color and mechanical keying of E-2000™ Simplex datasheet.

ORDER INFORMATION

Please refer to the part numbers provided in the separate P/N list.

For other configurations, please contact your nearest local Diamond representative or fill in the contact form available on the www.diamond-fo.com website.

Other versions upon request.