

DATASHEET

INFRALAN® Frame Set for Keystone Moduls



Description

To accommodate all INFRALAN® RJ45 Keystone modules
 Frame set in 1-port, 2-port or 3-port
 40° outlet

Outer ring 80x80mm and central plate 50x50mm according to DIN49075

Compatible with any switch range with the adapter plate of the switch range manufacturer

Separate earthing latch for Faston 6.3mm blade receptacle

With dust protection flaps and integrated labelling field

General data

Assembly arrangement	base element with Central plate
Utilization	modular Jack
Support ring	True
With dust cover	True
With hinged lid	True
Imprintable label	with labeling field
With imprint	False
Mounting method	surface-mounted
Material	plastic
Material quality	other
Halogen free	False
Surface treatment	other

DATASHEET

INFRALAN® Frame Set for Keystone Moduls

General data

Type of surface	not applicable
Transparent	False
Type of fastening	mounting with screw
Strain relief	False
Luster terminal	False
Suitable for degree of protection (IP)	-

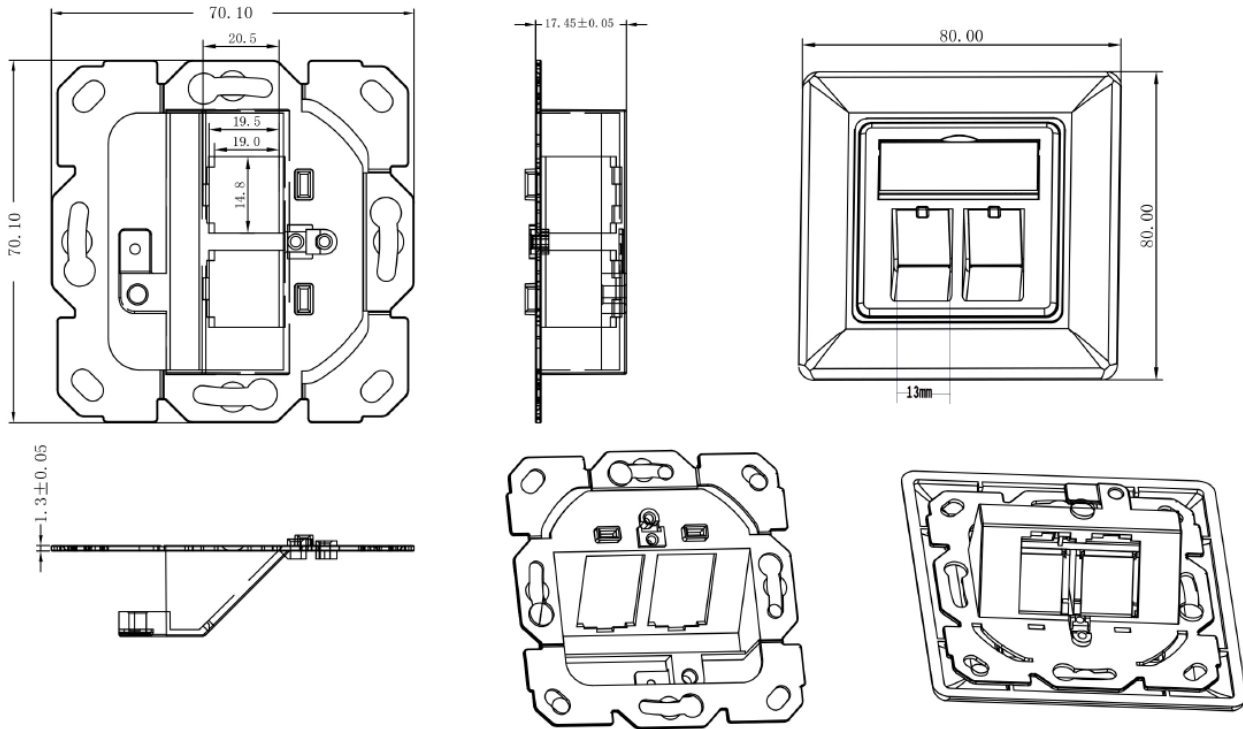
Available variants

Article no.	Title	Colour RAL-number (akin)	
IMT-01-RK-WS-KP	INFRALAN® 1-Port Frame Set, RAL9010, for all INFRALAN® Keystone Moduls	white	9010
IMT-02-RK-WS-DF	INFRALAN® 2-Port UAE Frame Set for Keystone, Slimline IKS-6A-PVP, design capable	white	9010
IMT-02-RK-WS-KP	INFRALAN® 2-Port Frame Set, RAL9010, for all INFRALAN® Keystone Moduls	white	9010
IMT-03-RK-WS-KP	INFRALAN® 3-Port Frame Set, RAL9010, for all INFRALAN® Keystone Moduls	white	9010

DATASHEET

INFRALAN® Frame Set for Keystone Moduls

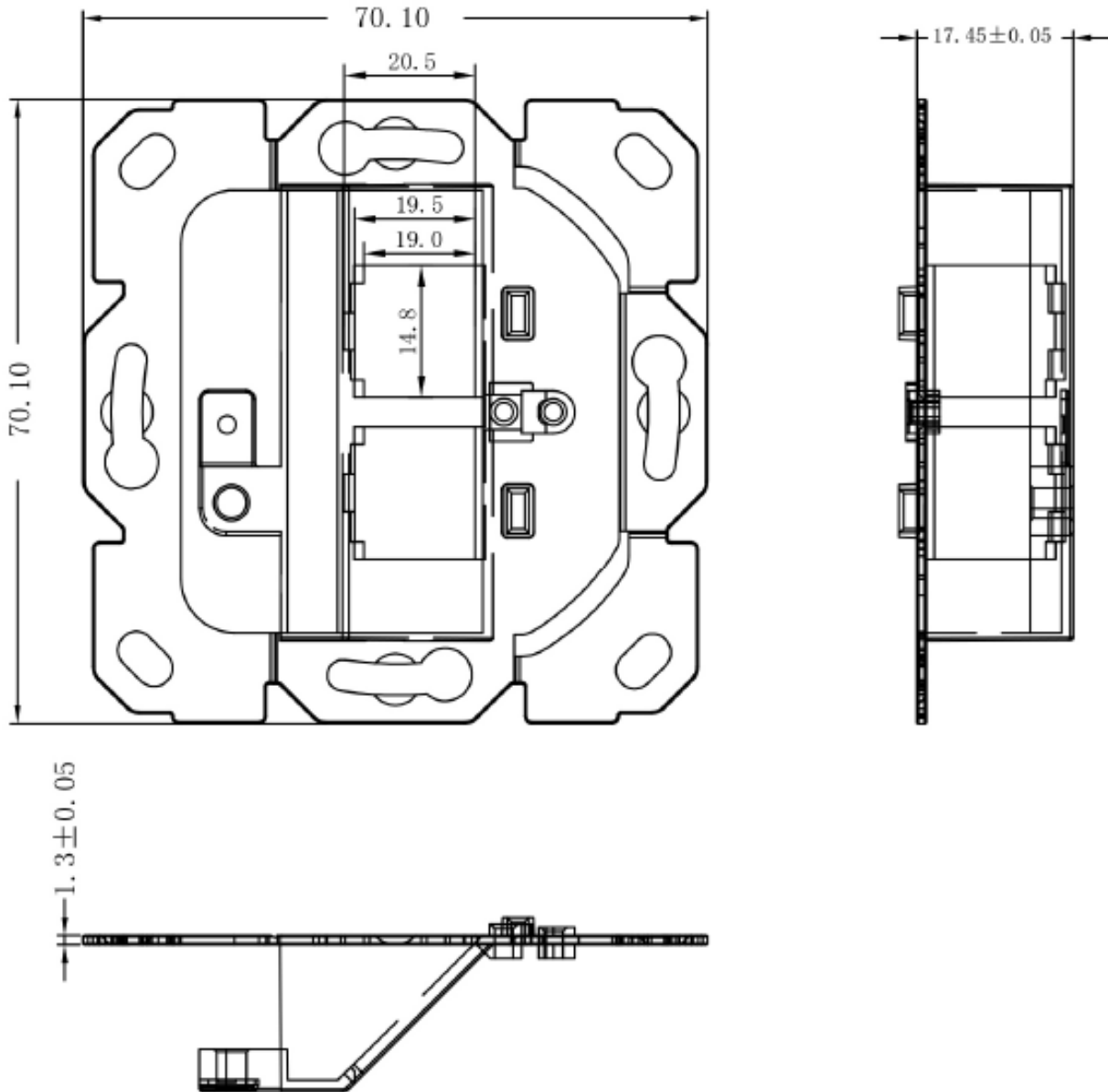
Technical drawings



DATASHEET

INFRALAN® Frame Set for Keystone Moduls

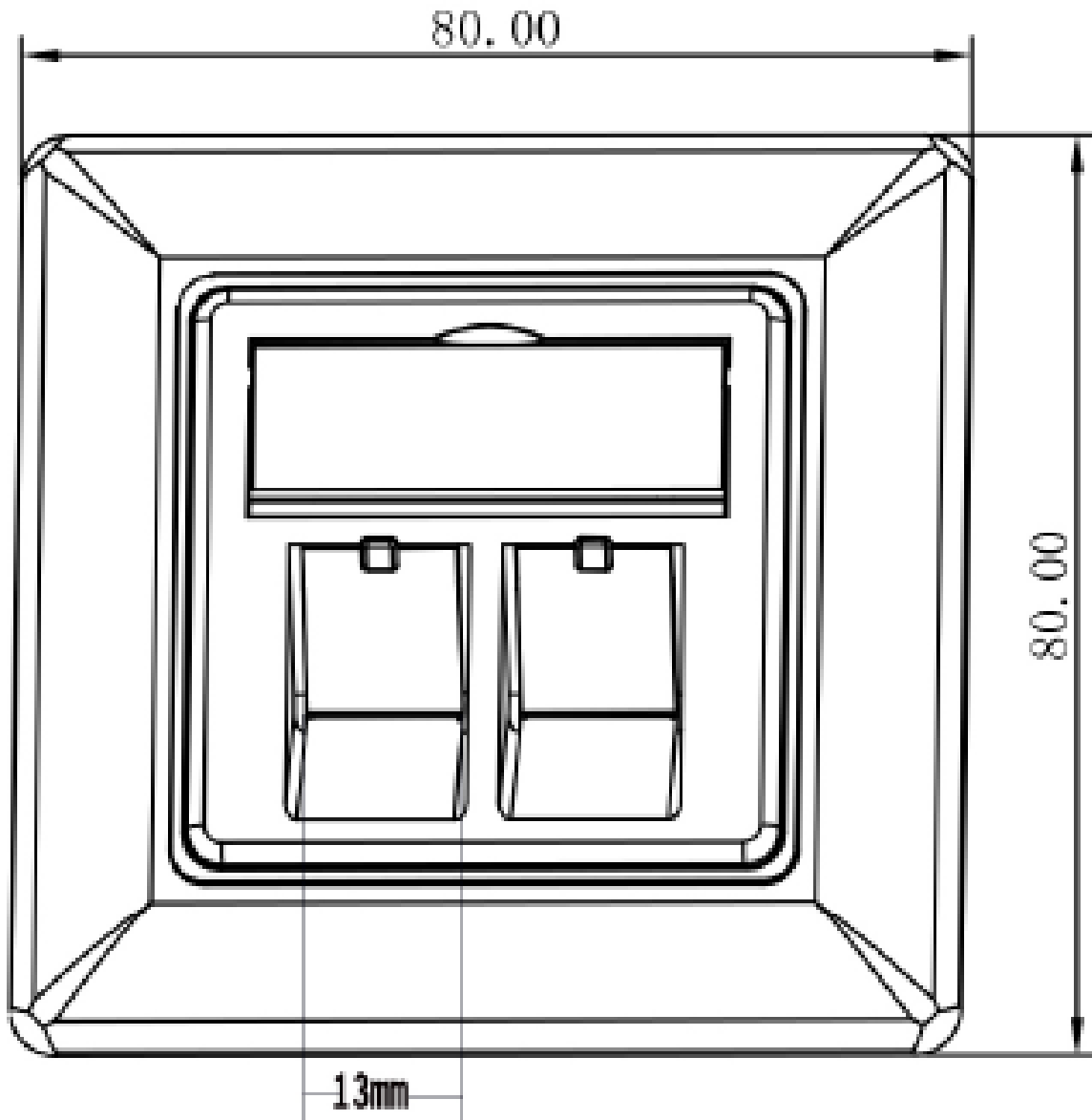
Technical drawings



DATASHEET

INFRALAN® Frame Set for Keystone Moduls

Technical drawings



DATASHEET

INFRALAN® Frame Set for Keystone Moduls

Technical drawings

