

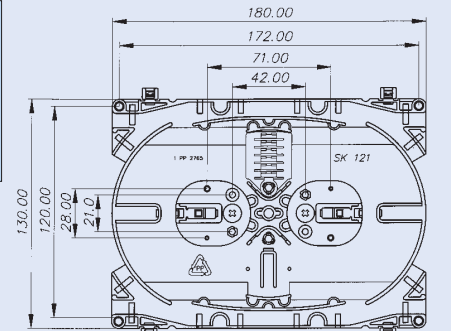
Accessories

Splice Cassette ...-SK/121..

N10797



Stripping dimensions (cm):		
Windings	Min.	Max.
1	37	49
1.5	54	73
2	69	95
2.5	86	118
3	104	144
3.5	116	164



Height of the cassette: 8 mm SK121

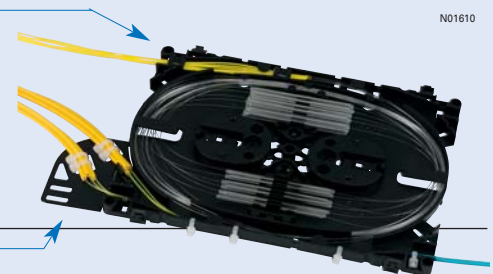
- Splice storage for all kinds of optical fibres
- Splice cassettes can be piled one on top of the other, so they can be "leafed through" like a book
- Mounting of different splice protection holders is possible through the snap-on system
- Laying in an 8-shaped loop is possible
- Bending radius: >35 mm
- Capacity
 - Splices 16 or 24 splice protection tubes Ø 2.5 mm (heat-shrinkable)
 - 24 sandwich splice protectors (sandwich)
- Splice protection holders 2x ...-SRH8, 2x ...SRH12 or 2x ...-SWH12
- Reserve fibre length approx. 80 m
- Material: Polypropylene
- Weight: 62 g
- Scope of delivery: 1 Splice cassette (excl. splice protection holder)

Cover for -SK/121, ...-SKA/121..

- For protecting the fibres against damage and soiling
- The cover is to be mounted onto the top cassette
- Material: Powder-coated aluminium sheet, RAL 7035 light-grey
- Weight: 35 g
- Scope of delivery: 1 Cover incl. 2 pcs. slotted pan head screws

Pigtail Clips, PC121

- Stressfree strain relief for pressure-sensitive fibre pigtails
- Since they are fixed inside the cassette, no additional space is required
- To be engaged in the recesses for cable tie wraps
- Material: Polypropylene
- Weight: 1 g
- Scope of delivery: 1 Pigtail clip



Strain Relief Plate for Pigtail Fastening - SK121, LWL-SK/121/AP..

- For strain relief of cable pigtails outside the splice cassette ...-SK/121..
- The strain relief plate is to be mounted by snapping it into splice cassette ...-SK/121
- Material: painted aluminium sheet, black
- Weight: Approx. 4 g
- Scope of delivery: 1 Strain relief plate