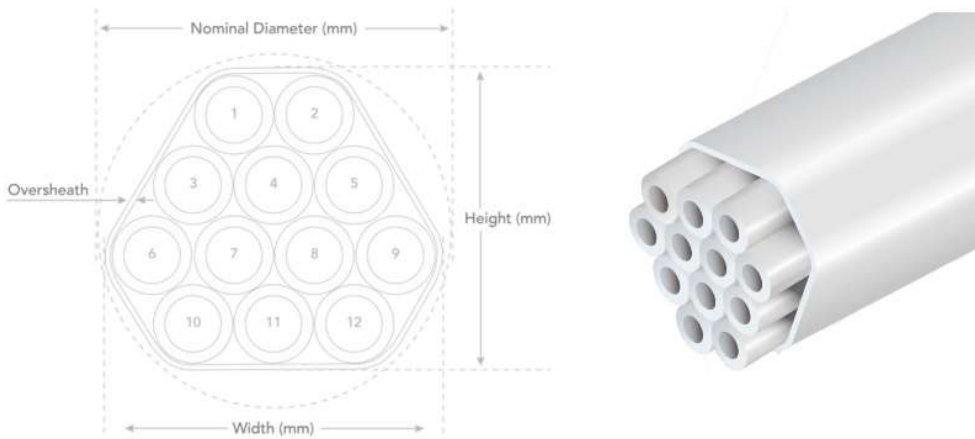


Productinformatie

DuraMulti Low Smoke Halogen Free was engineered to be installed indoors where flame retardant characteristics are critical.

Two or more DuraMicro pathways are factory bundled under a polyethylene overshooth for one easy-to-handle unit. DuraMulti is available in a variety of configurations, with several options for DuraMicro sizes.



Made from Flame Retardant Low Smoke Halogen Free materials

Pressure resistance minimum 15 bar

Silicore, permanently lubricated inner lining provides a lower inner coefficient of friction (<0.1) for maximum cable blowing length

High-quality materials formulated for long-life expectancy

Available in configurations with 2 to 24 DuraMicro pathways, with sizes ranging from 5 mm - 12 mm OD

Parameter	Waarden
Maximale afmeting van de doorsnede (MAX)	21,5 mm
Minimale afmeting van de doorsnede (MIN)	20,5 mm
Mantel dikte	0.75 mm
Transport en opslag temperatuur	-40°C - +70°C
Installatie temperatuur	-10°C - +50°C
Operatie temperatuur	-40°C - +70°C
Minimale buigradius	200 mm

DETAILS

Footage/Meter Markings

Internal Ribs

OPTIONS

Silicore®